

REVISED 6/1/20

**PRODUCT**

OONA MINI BARE PENDANT  
OONA MINI BARE 10

**MATERIALS (FINISHES)**

METAL (GOLDEN BRASS,  
BLACKENED BRASS, SILVER,  
BLACKENED SILVER)

GLASS (CLEAR)

**WEIGHT**

35.0 LBS

**LAMPING**

INCANDESCENT (QTY 10)  
E12 BASE / T6 TUBULAR SHAPE  
120V / 40 WATT MAX

**CANOPY / CORD**

5" ROUND CANOPY WITH  
POSITIONABLE CEILING DROPS  
6' CLOTH CORD

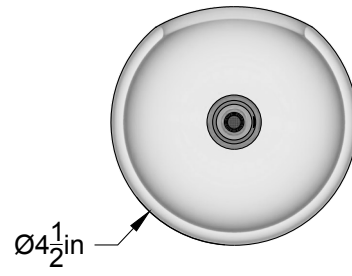
**CERTIFICATIONS**

ETL LISTED (120V, US/CANADA)

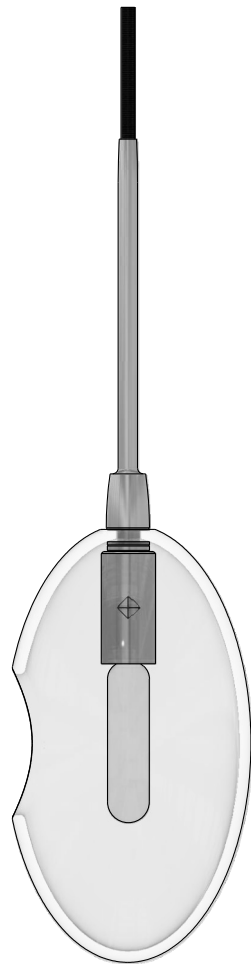
**NOTES**

OONA MINI IS AN ARTISAN-  
CRAFTED HANGING PENDANT  
FEATURING BLOWN GLASS AND  
SOLID MACHINED HARDWARE.  
OONA IS MEANT TO BE INSTALLED  
BY A QUALIFIED AND LICENSED  
ELECTRICIAN AND INSTALLATION  
PROFESSIONAL.

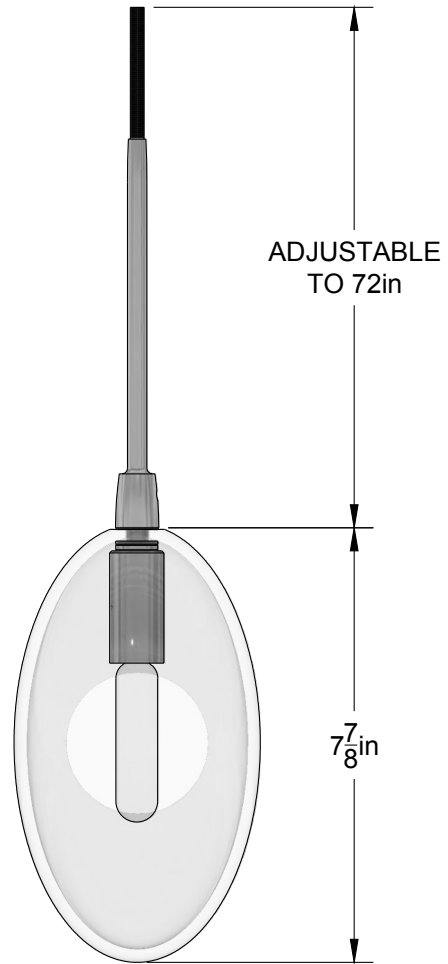




PLAN VIEW



SIDE VIEW



ELEVATION VIEW

© 2020, LAKE AND WELLS, LLC ALL RIGHTS RESERVED