

REVISED 12/1/19

**PRODUCT**

OONA MINI PENDANT  
OONA MINI 10

**MATERIALS (FINISHES)**

METAL (GOLDEN BRASS,  
BLACKENED BRASS, SILVER,  
BLACKENED SILVER)

GLASS (CLEAR, SMOKE)

**WEIGHT**

35 LBS

**LAMPING**

INCANDESCENT (QTY 10)  
E12 BASE / T6 TUBULAR SHAPE  
120V / 25 WATT MAX

**CANOPY / CORD**

5" ROUND CANOPY WITH  
POSITIONABLE CEILING DROPS  
6" BLACK CORD

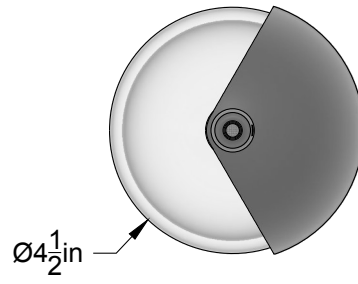
**CERTIFICATIONS**

ETL LISTED (120V, US/CANADA)

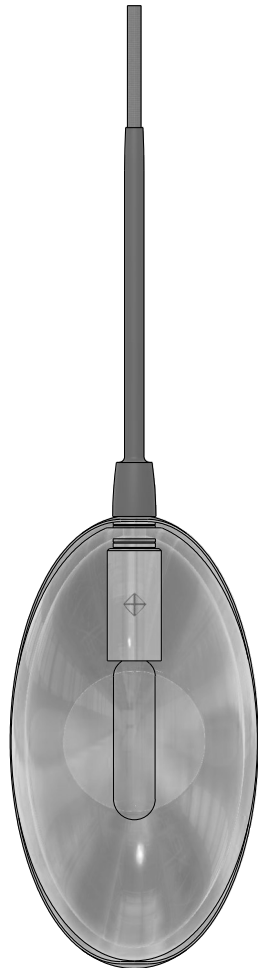
**NOTES**

OONA MINI IS AN ARTISAN-  
CRAFTED HANGING PENDANT  
FEATURING BLOWN GLASS AND A  
FORMED METAL SHADE. OONA IS  
MEANT TO BE INSTALLED BY A  
QUALIFIED AND LICENSED  
ELECTRICIAN AND INSTALLATION  
PROFESSIONAL.

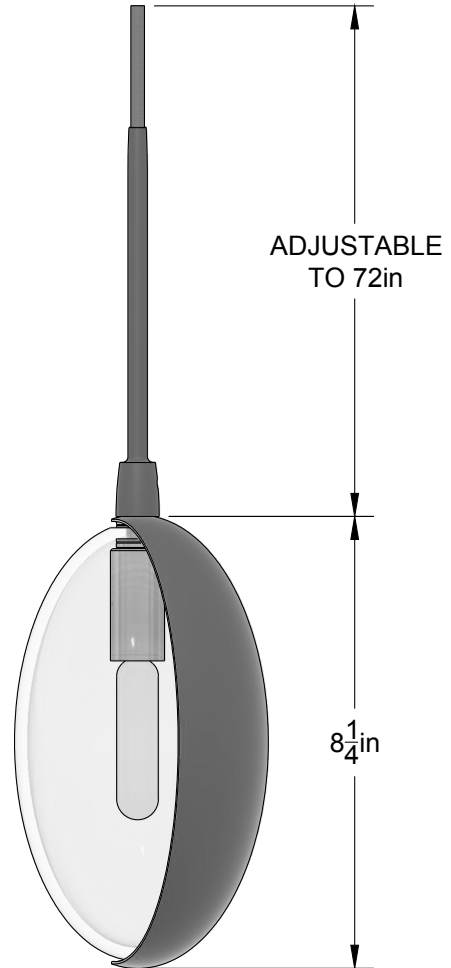




PLAN VIEW



SIDE VIEW



ELEVATION VIEW

© 2019, LAKE AND WELLS, LLC ALL RIGHTS RESERVED