

REVISED 12/1/19

PRODUCT

OONA PENDANT
OONA 08

MATERIALS (FINISHES)

METAL (GOLDEN BRASS,
BLACKENED BRASS, SILVER,
BLACKENED SILVER)

GLASS (CLEAR, SMOKE)

WEIGHT

76 LBS

LAMPING

INCANDESCENT (QTY 8)
E26 BASE / A23 SHAPE
120V / 40 WATT MAX

CANOPY / CORD

5" ROUND CANOPY WITH
POSITIONABLE CEILING DROPS
6" BLACK CORD

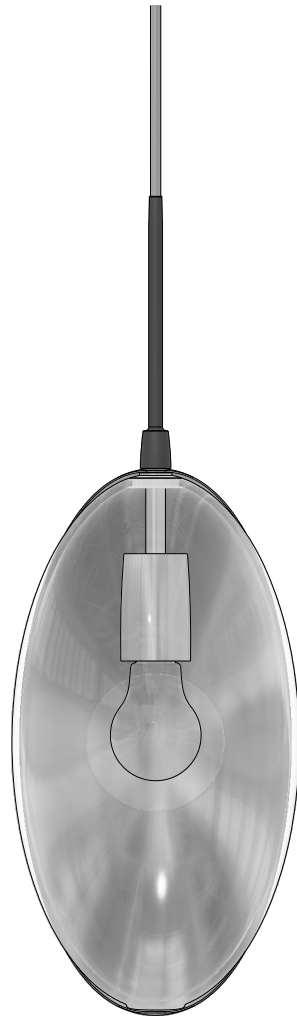
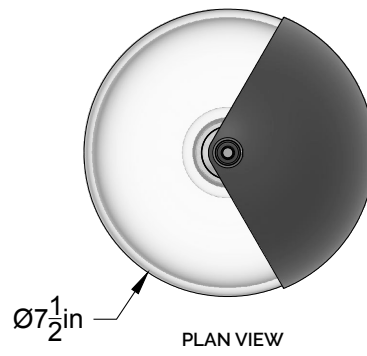
CERTIFICATIONS

ETL LISTED (120V, US/CANADA)

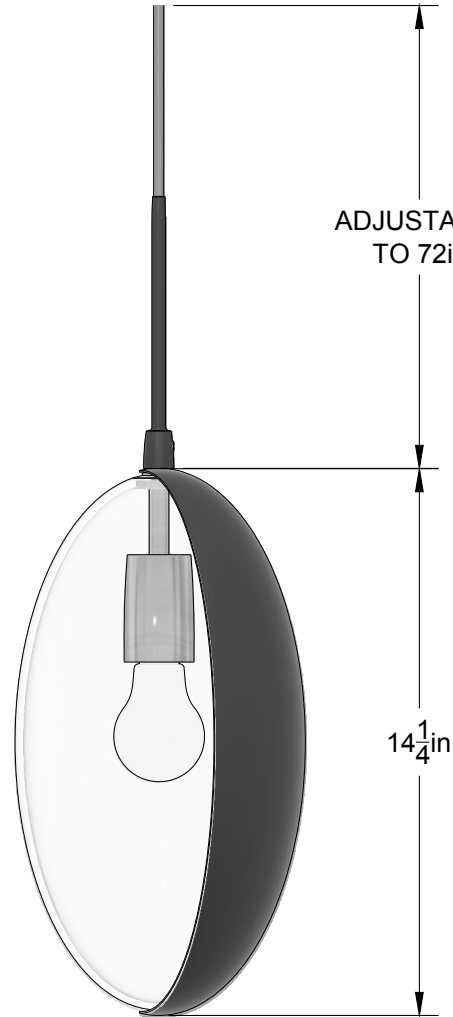
NOTES

OONA IS AN ARTISAN-CRAFTED
HANGING PENDANT FEATURING
BLOWN GLASS AND A FORMED
METAL SHADE. OONA IS MEANT TO
BE INSTALLED BY A QUALIFIED
AND LICENSED ELECTRICIAN AND
INSTALLATION PROFESSIONAL.





SIDE VIEW



ELEVATION VIEW

© 2019, LAKE AND WELLS, LLC. ALL RIGHTS RESERVED